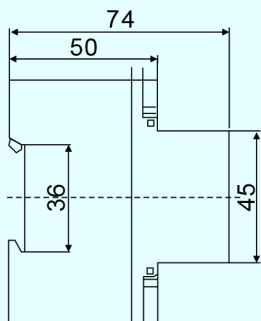
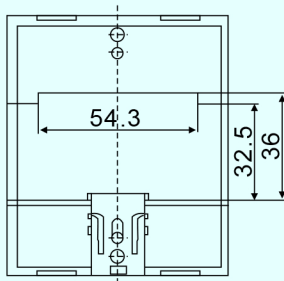
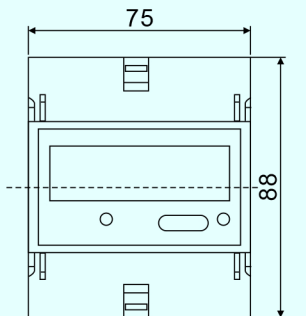




### Overall and installation dimensions

Weight: about 0.4kg



### Product Overview

The power meter is the use of application specific integrated circuit, the latest micro-electronics technology and SMT process design made of high-tech products. The table has a powerful anti-electromagnetic interference performance, wide operating voltage range, high reliability, long life, high accuracy, low power consumption, electricity stealing and so on.

Part of the table using ADE7755 energy metering chip for measuring rated frequency 50Hz single-phase AC active electric energy, through the acquisition of voltage and current loop signals will be converted into the corresponding energy value of energy pulse signal, the control chip, programmed according to the user good time, the pulses of electricity at different times, respectively, the corresponding rates recorded in and complete the display and communication functions in order to achieve multiple rate metering functions.

This product can be used HHU through infrared remote control programming, meter reading; or using RS485 communication interface with the micro-computer communication; the same time, the table also has a radio, when the school functions, for the automatic management of electricity power sector to provide a more convenient services.

The products meet the IEC 62053-21, IEC 62052-11 standard for electronic energy meter of the relevant technical requirements.

### Features

- four rates (sharp peak, flat, valley), 12 hours, times the minimum time interval of 5 minutes;
- storage, including this month, including a 12-month data on the various rates for electricity;
- power (electricity) the direction of automatic identification, reverse power is automatically saved and accumulated in the positive power at the same time counter, the automatic recording reverse power, reverse Reverse run start time and total time;
- with power failure display function;
- with the reverse direction feature: When the current is reversed, reverse indicator light;
- electrical isolation of the RS485 interface and the design of anti-lightning circuit;
- there is writing data with a password and programming switches 2 protection, automatically record the final programming time and frequency;
- using hard-clock circuit, low current consumption, spare batteries imported green disposable lithium batteries;
- you can set the table number, bureau number, hours, rates, date, time, automatic meter reading, password, display items and start recycling capacity;
- with back-up battery voltage test instructions, hardware, meter status, meter communications state, the clock status, power orientation, school status, and the current time when the meter is running the state and other state identification bit, and can be read via RS485 or handheld computers.

### The main technical parameters

Rated Current	5(20)A、5(30)A、10(40)A、15(60)A、20(80)A
Rated voltage	220V、230V
Rated frequency (Hz)	50、60
Accuracy Class	Class 1.0、Class 2.0
Clock error	≤ 0.5 sec / day (reference temperature); ≤ 1.0 sec / day (back-up lithium battery working hours)
Battery	lithium battery imports of environmental protection,
Communication	RS485